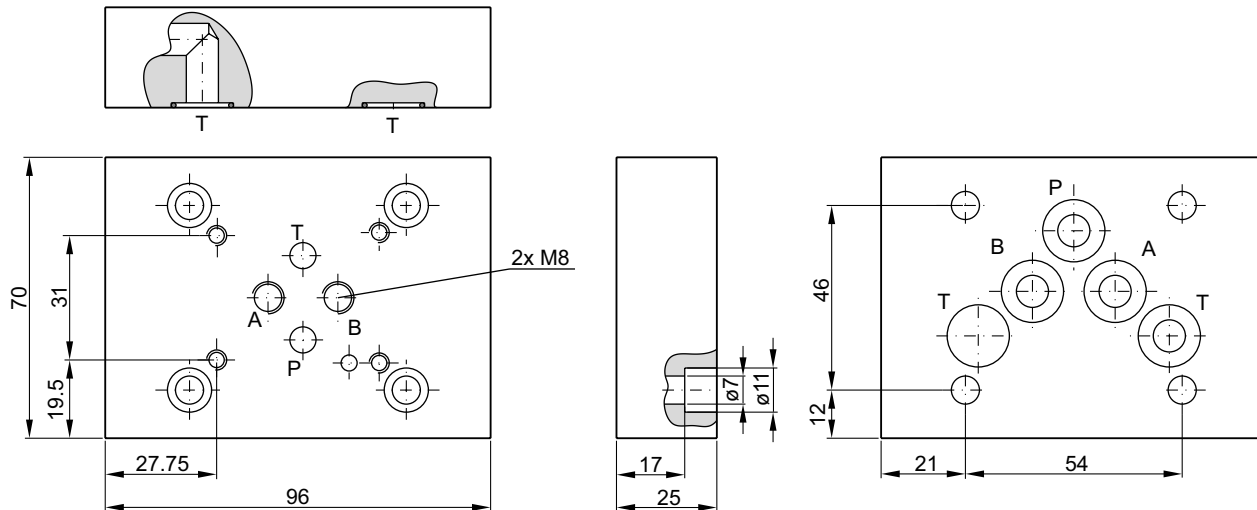
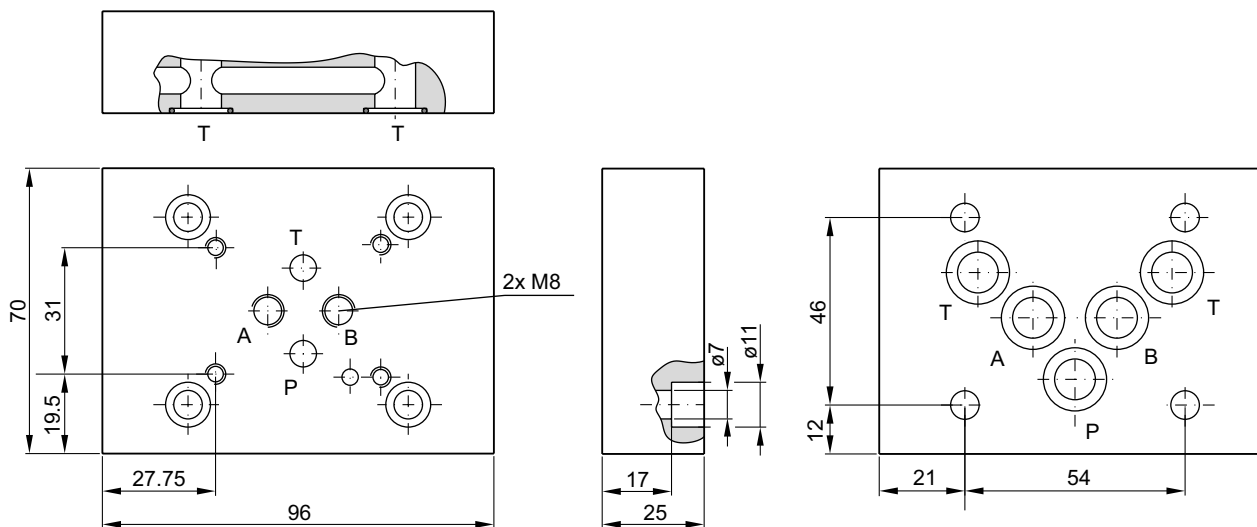


Adaptor plate PADA 1007-AA-BB, CETOP 05/03, nominal size NG10 to NG06



Symbol	Ordering code	Bolt kit	Bolt dimensions	Torque
	PADA1007-AA-BB CETOP 03/05 (O-rings included in delivery)	BK 408	4x M6x25 ISO 4762-12.9	13.2 Nm ±15 %

Adaptor plate PADA 1007/A-B/B-A, CETOP 03/05, nominal size NG10 to NG06



Symbol	Ordering code	Bolt kit	Bolt dimensions	Torque
	PADA1007/A-B/B-A CETOP 03/05 (O-rings included in delivery)	BK 408	4x M6x25 ISO 4762-12.9	13.2 Nm ±15 %

Bold letters =
 Short-term availability

